

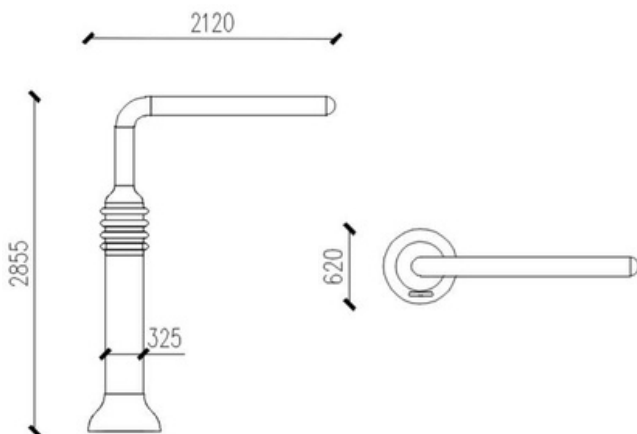
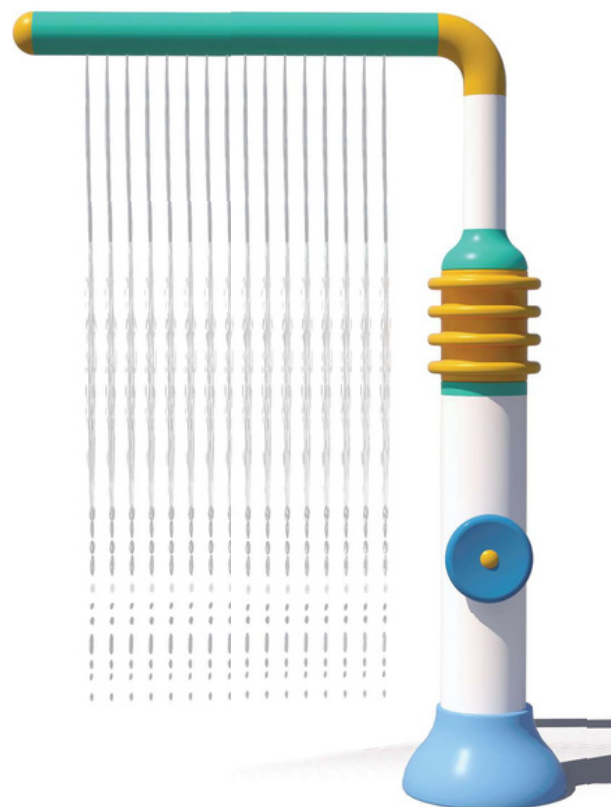


WATER CURTAIN

WS326

Interactive water attraction in the shape of the letter “L,” ideal for water parks, hotels, urban parks, and water playgrounds. Made of durable, UV-resistant fiberglass, it ensures safe play for children in accordance with European standards. The structure, with a height of 2855 mm and a width of 620 mm, generates a pleasant water flow (1.89 l/s) under a pressure of 1.7 bar, creating a spectacular rain shower effect. Thanks to certified, non-toxic paints and high-quality materials, it is resistant to weather conditions, ensuring long-lasting durability and safe entertainment.

Water Depth	0-300 mm
Water Flow	1,89 l/s
Operating Pressure	1,7 bar
Height	2855 mm
Depth	2120 mm
Width	620 mm
Material	Fiberglass



Construction colors:

