

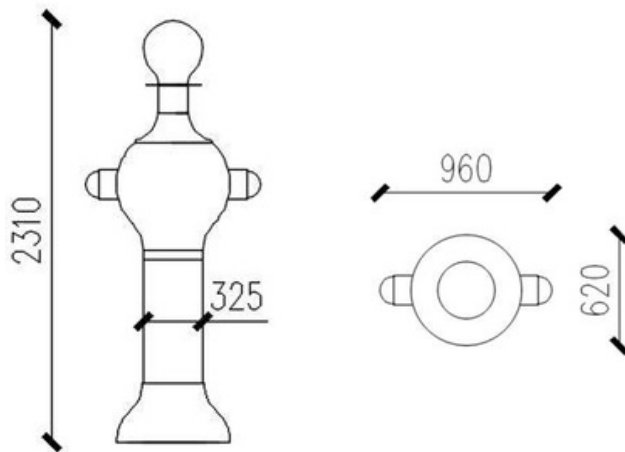


CLOWN

WS319

The Interactive Clown Fountain is a colorful and dynamic water attraction, designed for water playgrounds, aquaparks, hotels, and holiday resorts. With a height of 2310 mm and a width of 960 mm, it stands out perfectly in any recreational space. The water jets shooting from the top of the toy create a spectacular fountain, encouraging children to engage in interactive play, stimulating their creativity and sensory development. Made from fiberglass, resistant to UV radiation and weather conditions, the attraction ensures security and durability. With a water flow of 1.89 l/s, it is an economical and eco-friendly solution, providing unforgettable moments of fun for the little ones.

Water Depth	0-300 mm
Water Flow	1,89 l/s
Operating Pressure	1,7 bar
Height	2310 mm
Depth	620 mm
Width	960 mm
Material	Fiberglass



Construction colors:

